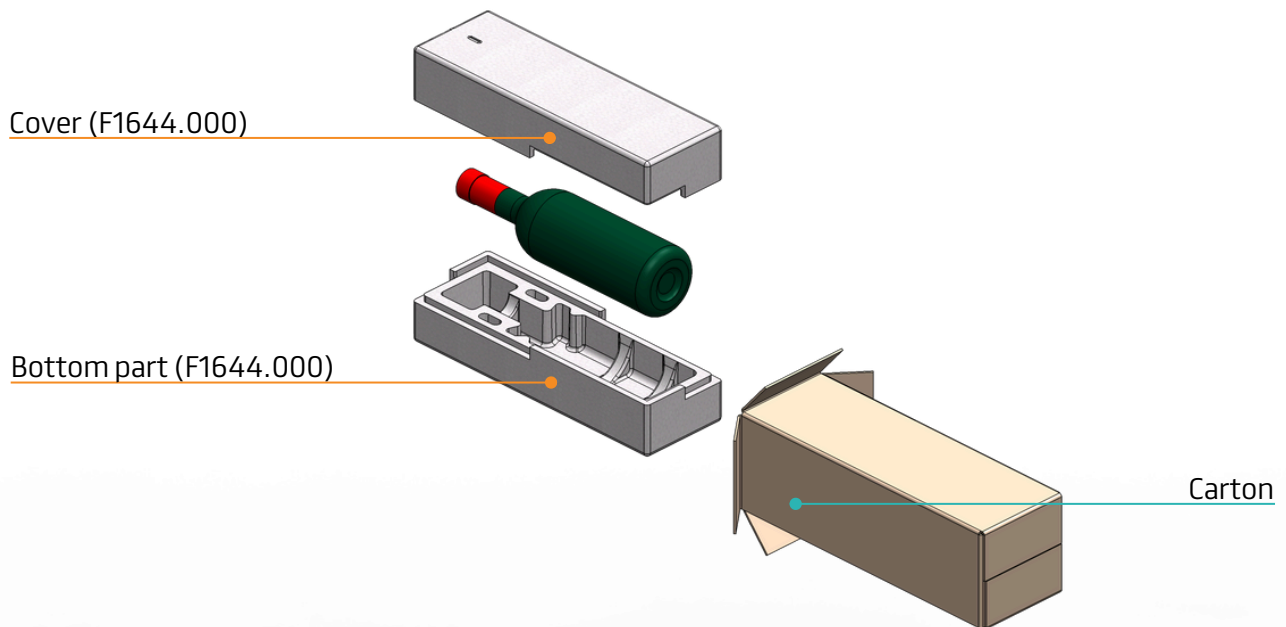


Technical data sheet
 Bottle packaging 1 bottle

Article no.	1x F1644.000	Weight	64 g
External dimensions	372 x 120 x 120 mm	Order unit	50 pcs.

Basic version

Accessories



Accessories (on request)

Article no.	Description	Dimensions	Quantity per box	Order unit
H0688.001	Carton 1 bottle	385 x 125 x 125 mm	1 piece	50 pieces